


**Novelties
Automechanika 2022**

**TRULY IN
GOOD HANDS.**

CONSUL[®]



automechanika
FRANKFURT

**Nr. 1 Event
für den
Aftermarket**

13. – 17. 9. 2022
FRANKFURT / MAIN

Halle 8.0 Stand B44
Halle 11.1 Stand D32

Z-Line Edition Comfort Series



CONSUL[®]

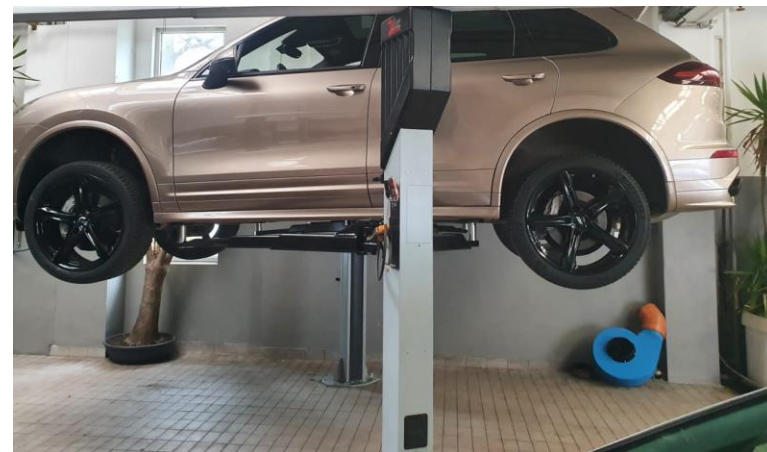


www.consul-gmbh.com

Z-Line Edition Comfort Series

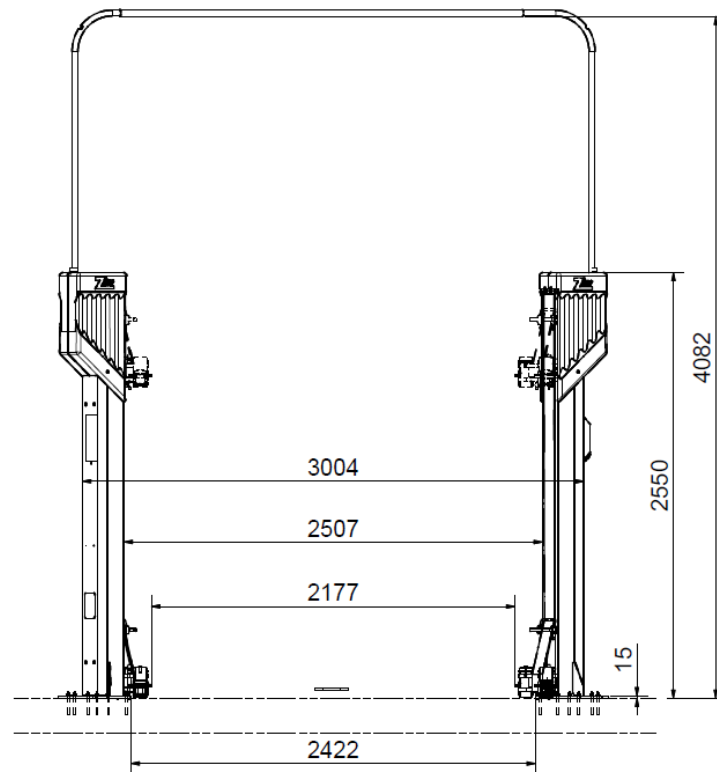
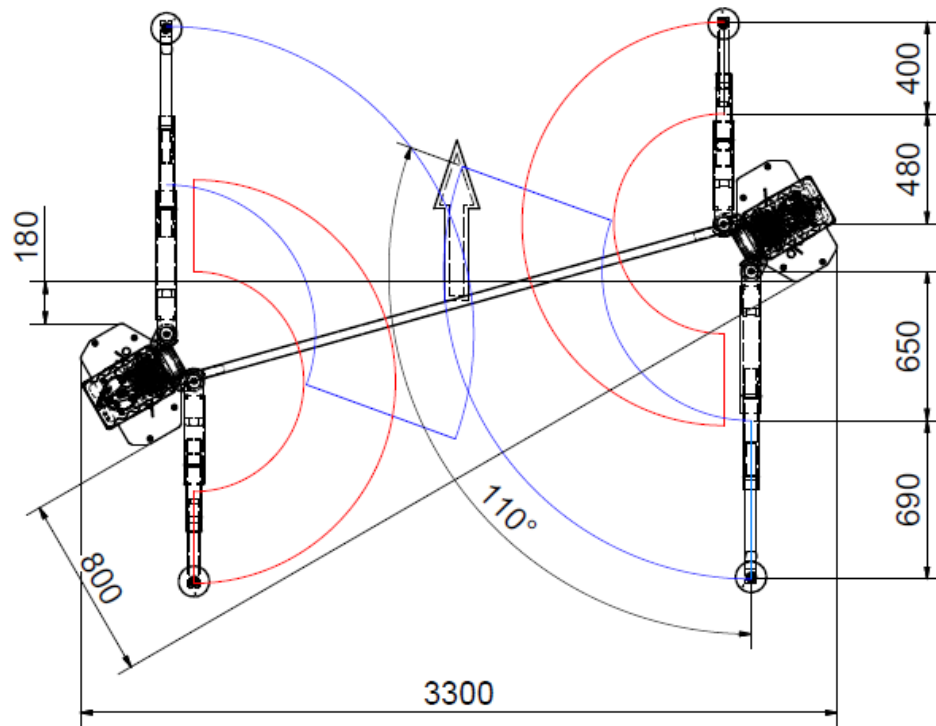
CONSUL[®]

| Modell | | Edition Z230 Comfort | Edition Z235 Comfort |
|--|------------|---------------------------------|---------------------------------|
| Art. Nr | | 723007 | 732206 |
| Tragfähigkeit Capacity | kg | 3.000 | 3.500 |
| Motorleistung Motor data | kW / A / V | 2 x 2,5 / 20 / 400 | 2 x 3 / 20 / 400 |
| Hub- / Senkzeit Lifting- / lowering time | s | 45 | 35 |
| Hubhöhe* Lifting height | mm | ca. 2.005 | ca. 2.005 |
| Aufstellhöhe Set-up height | mm | ca. 2.550 | ca. 2.550 |
| Aufstellbreite Set-up width | mm | ca. 3.300 | ca. 3.300 |
| Durchfahrbreite Drive-through width | mm | ca. 2.176 | ca. 2.176 |
| Tragarmlänge lang min. Long arm extension min. | mm | ca. 650 (3-teilig, 3 pcs.) | ca. 650 (3-teilig, 3 pcs.) |
| Tragarmlänge lang max. Long arm extension max. | mm | ca. 1.340 (3-teilig, 3 pcs.) | ca. 1.340 (3-teilig, 3 pcs.) |
| Tragarmlänge kurz min. Short arm extension min. | mm | ca. 480 (3-teilig, 3 pcs.) | ca. 480 (3-teilig, 3 pcs.) |
| Tragarmlänge kurz max. Short arm extension max. | mm | ca. 880 (3-teilig, 3 pcs.) | ca. 880 (3-teilig, 3 pcs.) |
| Unterschwenkhöhe** Swivel-in height | mm | ca. 85 | ca. 85 |
| Säulenabstand innen Clear distance column | mm | ca. 2.508 | ca. 2508 |



Z-Line Edition Z230 Comfort

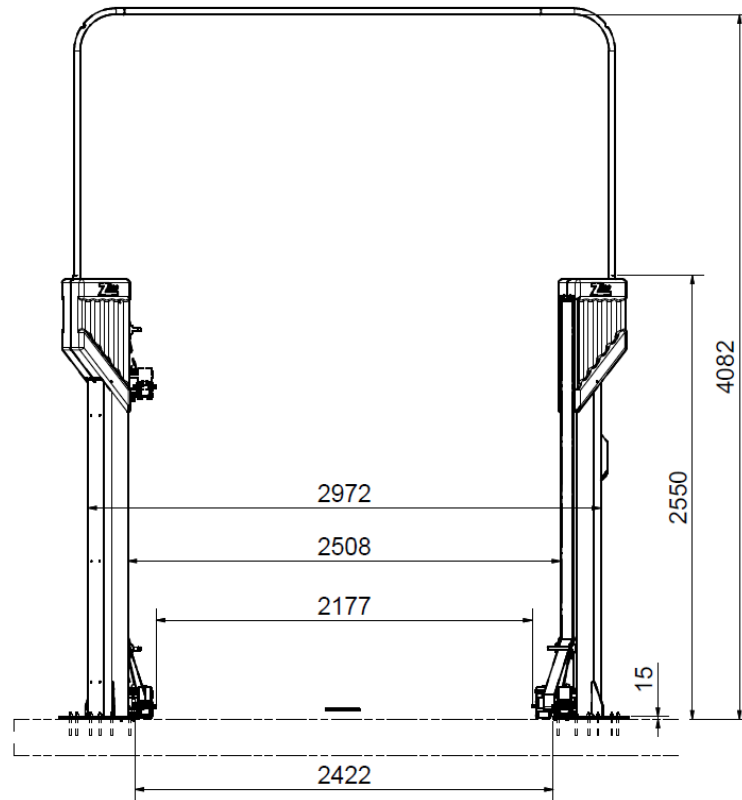
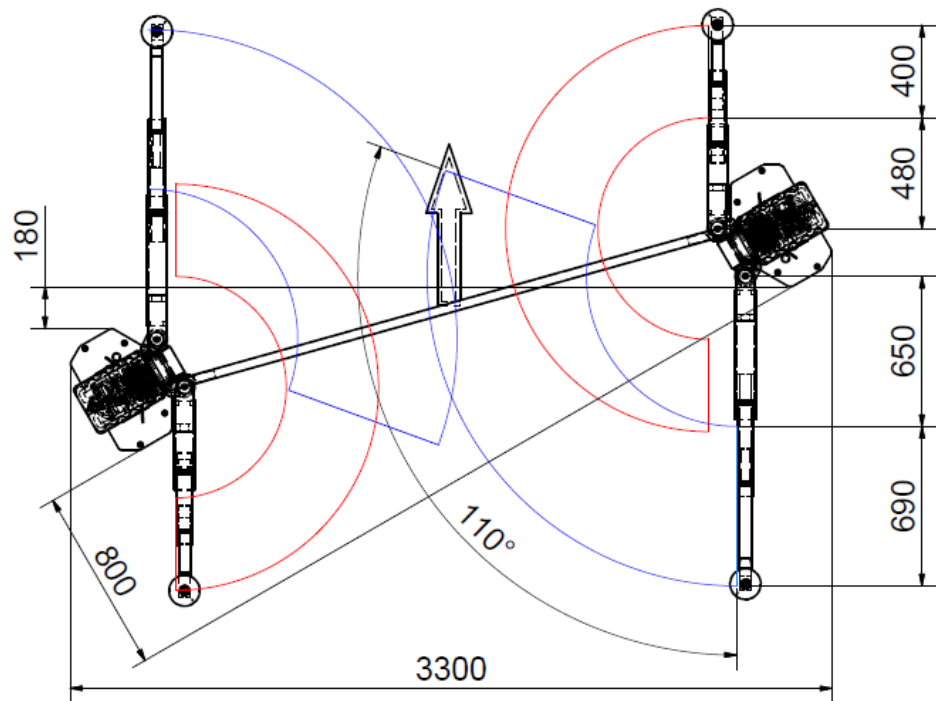
CONSUL[®]



www.consul-gmbh.com

Z-Line Edition Z235 Comfort

CONSUL[®]



www.consul-gmbh.com

Z-Line Edition Comfort Series

CONSUL[®]



www.consul-gmbh.com

Z-Line Edition Comfort Series

CONSUL[®]



Die versetzt stehenden Säulen ermöglichen ein problemloses Öffnen der Fahrertür.
The offset placed posts allow for an unproblematic opening of the driver's door.



Bequemes Anheben für Kleinstwagen,
Comfortable lifting of microcars,

Z-Line Edition Comfort Series

CONSUL[®]



über Fahrzeuge mit langen Türen,
vehicles with long doors,



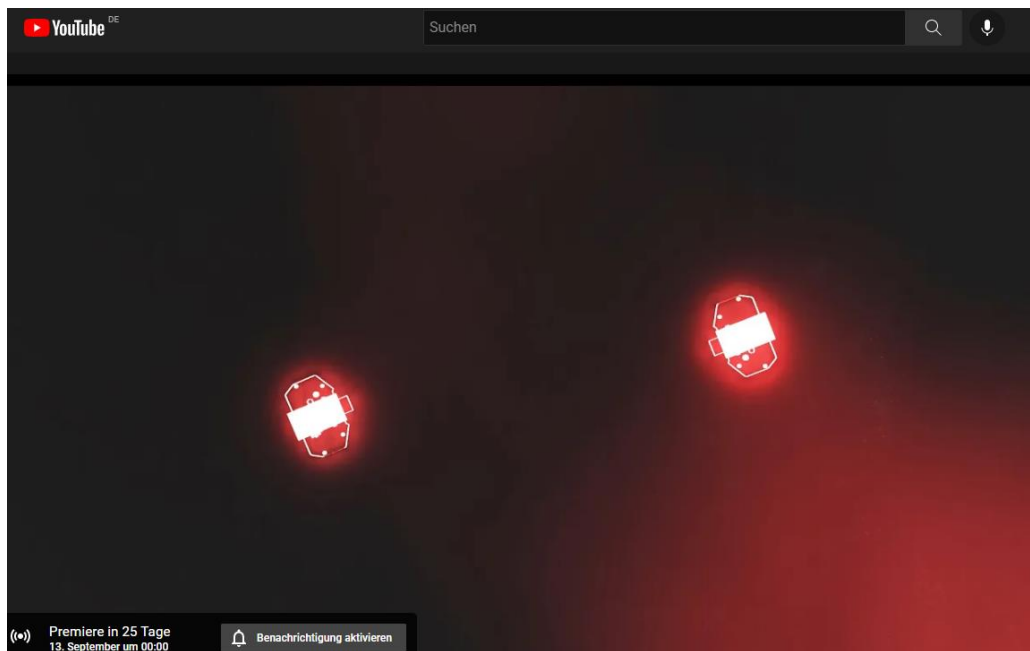
bis hin zu SUVs und Kleintransportern bis 3.500 kg.
up to SUVs and small transporters with a capacity up to 3.500 kg



www.consul-gmbh.com

Z-Line Edition Comfort Series VIDEO

CONSUL[®]



**Available on the 13.09.
at 00:00
Follow this link and turn on
notifications**

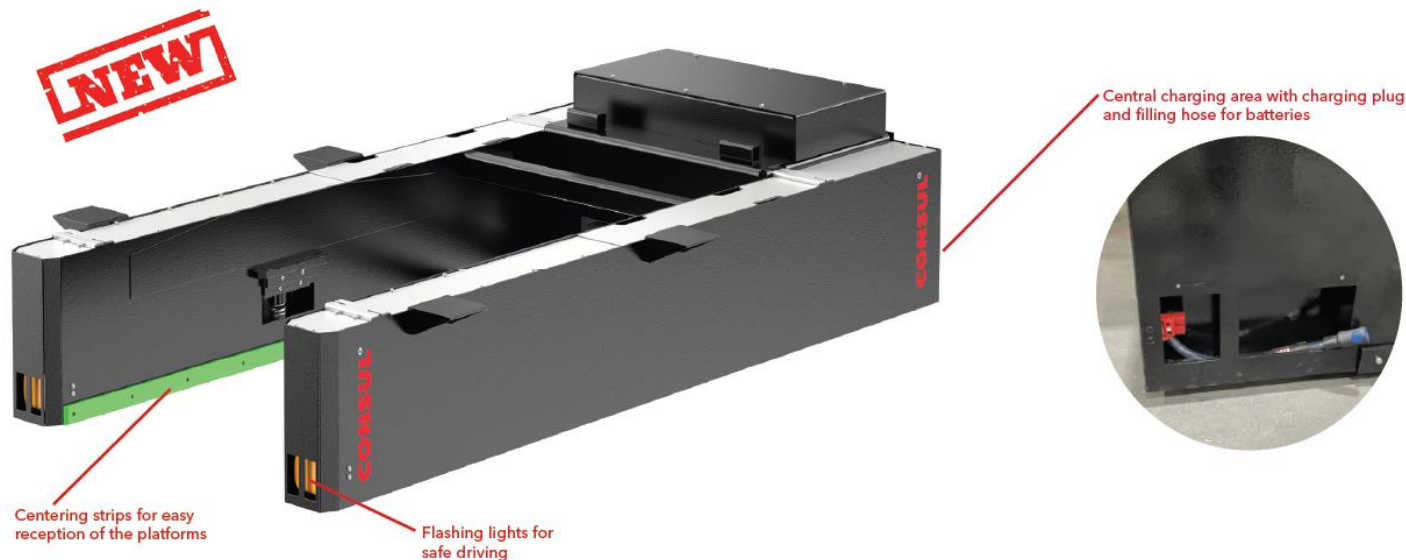
<https://youtu.be/PRBWoWDP1BE>



www.consul-gmbh.com

PneuMobil 0.35

CONSUL[®]



The PneuMobil enables easy and time-saving transport of vehicles between work areas. It is excellently maneuverable and can also be used in confined areas due to its maneuverability. Electric cars that are switched off can be moved without any problems, as can vehicles that are not ready to drive in the workshop.

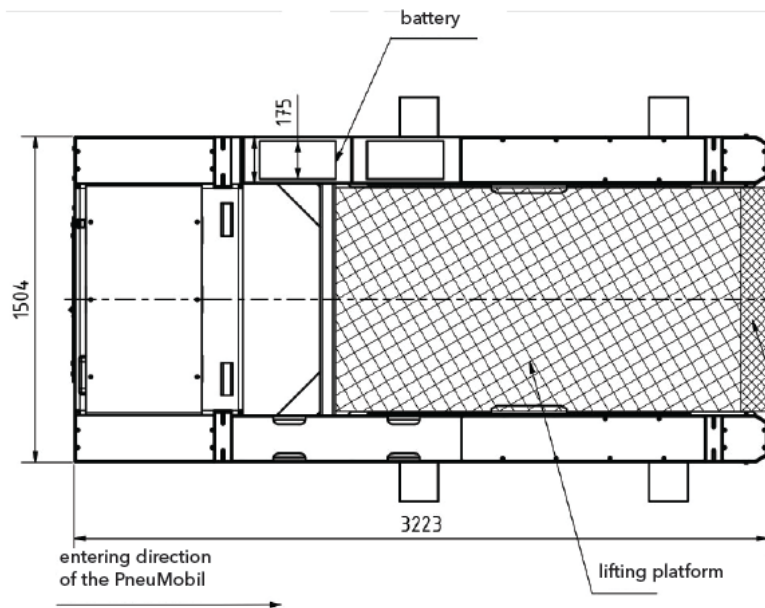


| Art. No. | Product |
|----------|----------------|
| 726000 | PneuMobil 0.35 |

www.consul-gmbh.com

PneuMobil 0.35

CONSUL®



Equipment:

- Powerful electric drive
- Control via convenient, pendant radio remote control
- Lifting capacity + 3.5 tons vehicle weight
- Drives on smooth floors and gratings (e.g. in paint booths)
- Flashing lights front and rear for safety while driving
- Sensitively controllable, linear steering
- Two speed levels (0 - 3 km/h; 0 - 6 km/h), steplessly controllable
- Centering bars for easy mounting of the lifting platform
- Horn integrated in the remote control
- Easy access to the batteries via service cover
- Easy refilling of the batteries with distilled water via central connection

air connection area of the lifting platform

suitable for:

| Art. No. | Product |
|----------|----------------------|
| 700880 | PneuLift® 0.35 F BA |
| 701060 | PneuLift® 0.35 FK BA |

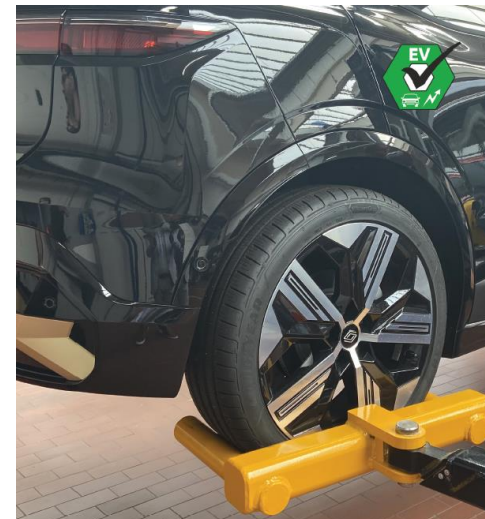
Existing PneuLift® platforms of the above-mentioned series can partly be used with the PneuMobil after conversion. Please contact us.



www.consul-gmbh.com

Solutions for e-mobility

CONSUL[®]



www.consul-gmbh.com

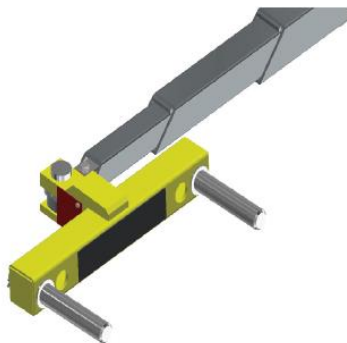
Swivel arms with interchangeable system

CONSUL[®]

| Art. No. | Product |
|----------|-------------------|
| 707380 | Swivel arms 3,5 t |

suitable for:

| Art. No. | Product |
|----------|------------------------------|
| 540609 | Premium EL [®] 2.40 |
| 538322 | HD FLEX [®] 2.40 |
| 590653 | HD Pro 2.40 |



Bearing on bottom side
for easy shifting

Flexible mounts for adaptation
to different wheel sizes



The swivel arms with interchangeable system allow vehicles to be picked up either at the pick-up points or at the wheels.

Due to the extended arms it is necessary to reduce the lifts maximum load capacity to 3.5 tons.

Equipment:

- Swivel arms with interchangeable system Support plate / wheel gripper
- Capacity 3,5 t
- Maximum receivable wheelbase 3.300 mm
- Wheel grab system adaptable to different wheel sizes
- Bearings on the bottom side of the wheel grippers prevent grinding on the floor

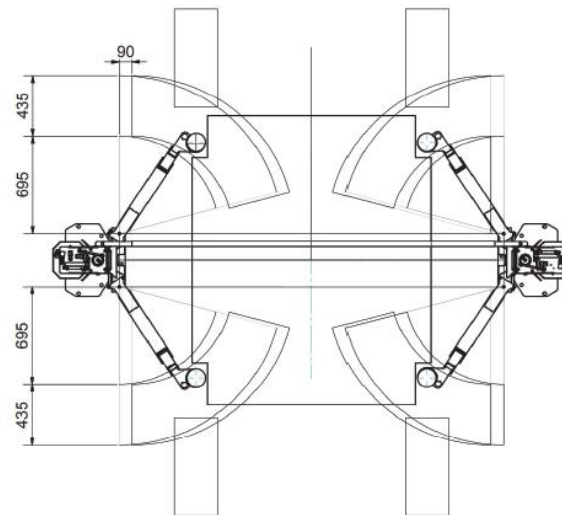
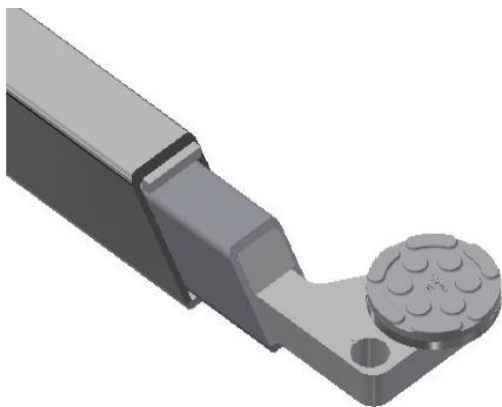
Swivel arms with cranked mount

CONSUL[®]

| Art. No. | Product |
|----------|----------------------------|
| 673848 | Swivel arms for e-vehicles |

suitable for:

| Art. No. | Product |
|----------|------------------------------|
| 540500 | Premium EL [®] 2.35 |
| 547786 | HD FLEX [®] 2.35 |
| 590604 | HD Pro 2.35 |



Swivel arms with cranked mount for better access to underbody panels or under-floor batteries. The platform can still be used for vehicles with combustion engines. The lifting capacity remains the same.

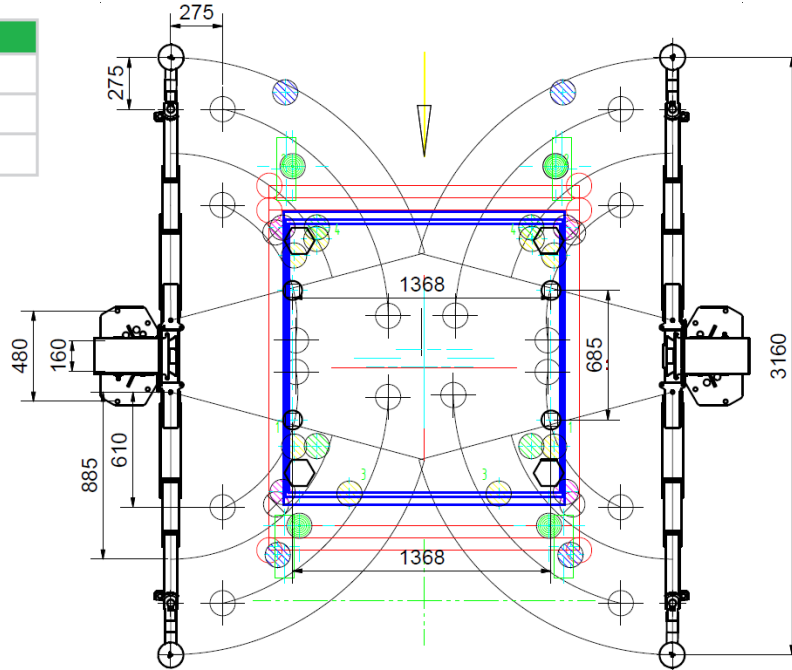
Equipment:

- Swivel arm ends with cranked mount for optimal access to battery / underbody
- Capacity 3,5 t

Lifts for electric vehicleless



| Art. No. | Product |
|----------|---------------------|
| 731547 | Premium EL® 2.35 EV |
| 731554 | HD FLEX® 2.35 EV |
| 731562 | HD Pro 2.35 EV |



- VW LT 06> Crafter RS3
- VW LT2 lang (mit Altern.)
- VW T5 lang
- VW Golf V
- VW UP
- MB Smart for two
- BMW R50
- BMW 3er Serie
- Toyota iQ
- MB Smart BR453
- Q7 ab 2006
- A6 ab 2005
- C-Klasse
- AUDI A8 (NWB LWB XL)

Lift with angled support arm ends for picking up vehicles even at hard-to-reach pick-up points. For electric vehicles, access to batteries and underbody is significantly improved.

Equipment:

- Angled support arm ends for optimal access to battery / underbody
- Capacity 3,5 t
- Universal use for vehicles with electric or combustion engines

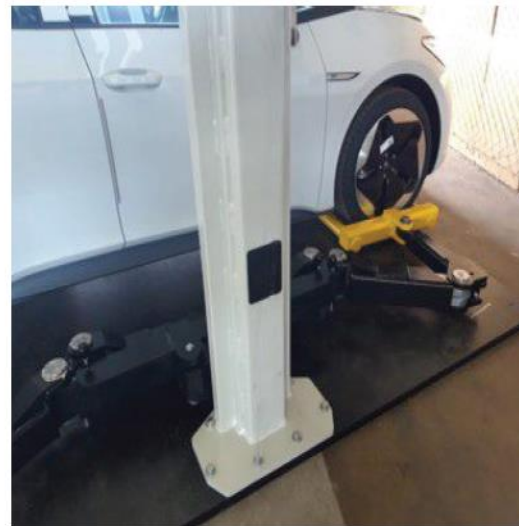


Double System Chassis

| Art. No. | Product |
|----------|-----------------------|
| 647305 | Double System Chassis |

suitable for:

| Art. No. | Product |
|----------|------------------|
| 577031 | Premium EL® 2.45 |
| 588004 | HD FLEX® 2.45 |
| 591776 | HD Pro 2.45 |



CONSUL®

The double system chassis allows the vehicle to be supported either by swivel arms with plate mounts or arms with wheel grab system. No conversion is necessary for this. Unused mounts are folded away to save space.

In this way, versatile use of the platform is possible without requiring additional space.

Equipment:

- Flexible lifting via pick-up plate or wheel grab system without conversion
- Capacity 3,5 t
- Fits vehicles from compact cars up to SUVs
- Problem-free retrofitting to existing platforms, column spacing remains the same



www.consul-gmbh.com

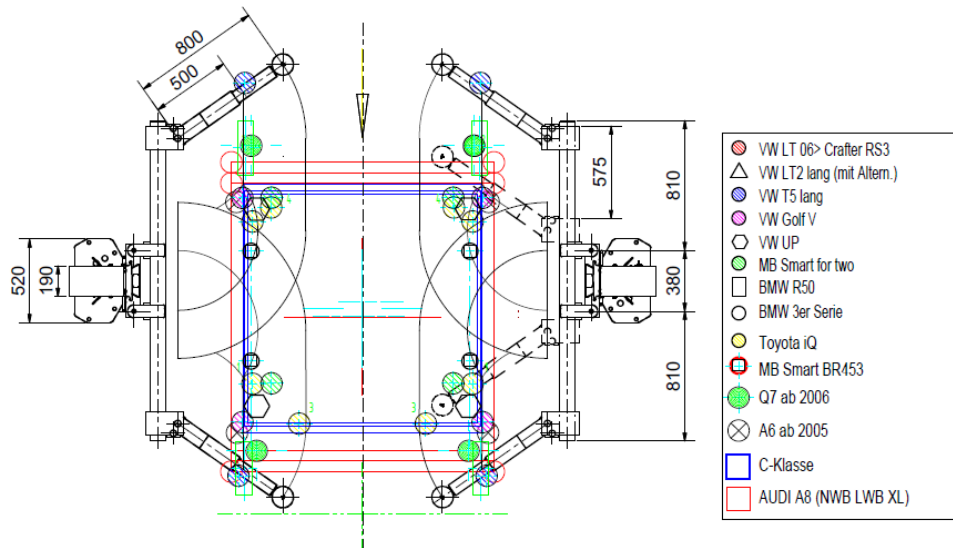
2.35 EV Easy Slide



NEW

CONSUL®

| Art. No. | Product |
|----------|--------------------------------|
| 733790 | Premium EL® 2.35 EV Easy Slide |
| 736801 | HD FLEX® 2.35 EV Easy Slide |
| 736900 | HD Pro 2.35 EV Easy Slide |



Lifting platform with sliding pivot points of the swivel arms for picking up vehicles even at hard-to-reach pick-up points. For electric vehicles, access to batteries and underbody is significantly improved.

Equipment:

- Sliding swivel arm base for optimum access to battery / underbody
- Lifting capacity 3,5 t
- Universal use for motor vehicles with both electric and internal combustion engines



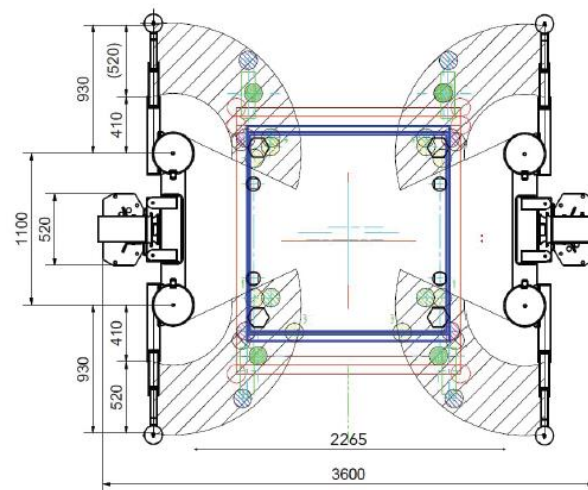
www.consul-gmbh.com

2.35 EV Jumping Jack

NEW

CONSUL®

| Art. No. | Product |
|----------|-------------------------------|
| 696617 | Premium EL® 2.35 EV J. Jack |
| 736660 | HD FLEX® 2.35 EV Jumping Jack |
| 736603 | HD Pro 2.35 EV Jumping Jack |



- VW LT 06> Crafter RS3
- △ VW LT2 lang (mit Altern.)
- VW T5 lang
- VW Golf V
- VW UP
- MB Smart for two
- BMW R50
- BMW 3er Serie
- Toyota iQ
- MB Smart BR453
- Q7 ab 2006
- ⊗ A6 ab 2005
- C-Klasse
- AUDI A8 (NWB LWB XL)

Lifting platform with shifted pivot points of the swivel arms for picking up vehicles even at hard-to-reach pick-up points. For electric vehicles, access to batteries and underbody is significantly improved.

Equipment:

- Shifted swivel arm base for optimum access to battery / underbody
- Lifting capacity 3,5 t
- Universal use for motor vehicles with both electric and internal combustion engines



www.consul-gmbh.com



automechanika
FRANKFURT

13. – 17. 9. 2022
FRANKFURT / MAIN

**Nr. 1 Event
für den
Aftermarket**

Halle 8.0 Stand B44

Halle 11.1 Stand D32

**We look forward to
your visit!**

**If you still need some
tickets for the
exhibition please don't
hesitate to contact us.**



CONSUL [®]