

310 000 000

Timing set for Volkswagen-Audi-Seat-Skoda 1.7, 1.9, 2.5 TDI diesel engines & 1.6, 2.0 petrol engines.

Models:

Audi: 80, A3, S3,A4,A6,TT,Cabriolet.

Seat: Ibiza,Cordoba,Arosa,Leon,Inca, Toledo,Alhambra.

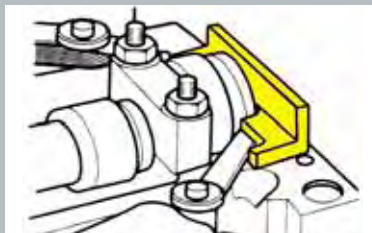
Skoda: Fabia,Felicia,Octavia,Superb.

Volkswagen: Lupo, Polo/Classic, Caddy, Golf, Bora, Beetle, Passat, Touran, Sharan, Transporter.

Engines: 1.7, 1.9, 2,5 D/SDi/TDi diesel & 1.6-2.0 petrol.

Codes:

1Z, 1Y, 1X, 1F, 2E, AAZ, AAE, AAC, ABF, ABL, ABM, ABK, AB T, ABS, ACE, AEK, AEY, AEF, AEH, AEB, AEG, ADY, A D A , A DR, ADP, ADZ, ADL, AFF, AFN, AFT, AGG, AGR, AGP, AGD, AGN, AGU, AHL, AHF, AHU, AHH, AHG, AHB, AJQ, AJL, AJ P, AJH, AKU, AKW, AKL, AKS, ALH, ALE, ALZ, AMK, ANA, A NB, APK, APX, APU, APF, APG, APP, APY, APT, AQM, AQA, AQX, AQY, ARX, ARY, ARZ, ARM, ARG, ASV, ASY, ASX, AT M, ATU, AUM, AUQ, AUR, AVG, AVU, AVC, AXW, AXA, AWU , AWG, AWT, AWC, AWF, AYQ, AYP, AYD, AZH, AZJ, AZM, BAM, BEH, BFQ, BFS, BGU.



Timing tools



310 017 000

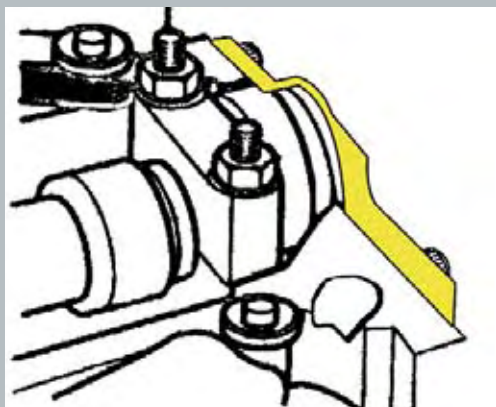
Set of tools for camshaft timing on new Volkswagen, Audi 1.9 TDI, 1.9 SDI 110 HP. diesel engine.

Cassetta fasatura motori - distribuzione Volkswagen, Audi motori 1.9 TDI, 1.9 SDI 110 cv. diesel.

Models: Polo, Polo Classic, Golf, Bora, Beetle, Caddy.

Engines: 1.9 TDI, 1.9 SDI 110 cv. diesel.

Codes: AGP, AGR, AHF, Alh, AQM, ASV.



Timing tools





Timing tools



310 039 000

Timing set for Volkswagen-Audi-Seat 1.4 & 1.6 16v. gasoline engines.

Kit per la fasatura dei motori Volkswagen-Audi-Seat 1.4 & 1.6 benzina 16v.

Models:

Seat: Arosa, Ibiza, Cordoba, Toledo, Leon, Inca (99-04)

Skoda: Fabia, Octavia (99-04)

VW: Lupo, Polo/Classic, Beetle, Golf, Bora, Caddy

Engines: 1.4 & 1.6 16v. Twin Cams

Codes: ARC, ATN, AUS, AVY, AZD, AFH, BCA, AFK, AHW, AJV, AKQ, APE, AQQ, AUA, AUB, AXP, AFH, AFK, AHW, APE, AQQ, AUA, AUB, AUS, AXP, AZD, BBY, BBZ, BCB



Timing tools



310 065 000

Complete set for crankshaft timing on new VW - Audi 1.2 - 1.4 - 1.9 TDI engines.

Cassetta fasatura motori - distribuzione VW - Audi motori 1.2 - 1.4 TDI - 1.9 TDI

Models:

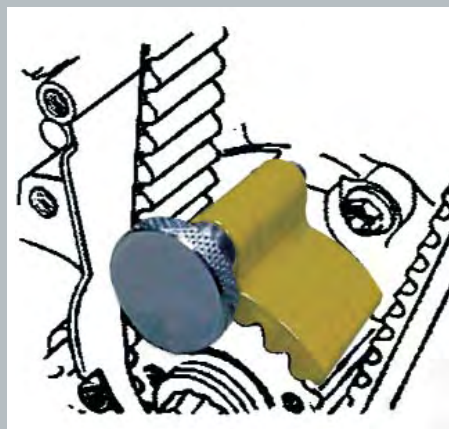
Volkswagen: Lupo, Polo, Golf, Bora, Passat, Beetle, Sharan

Audi: A2, A3, A4, A6

Seat: Alhambra

Engines: 1.2 TDI, 1.4 TDI, 1.9 TDI

Codes: AJM, AMF, ANU, ANY, ASZ, ATD, ATJ, AUY, AVB, AVF, AWX, AXR, AYZ



310 098 000

Complete timing set for 1.2 L, 3 cylinders 9v.and 12v. petrol VW engines.

Cassetta fasatura dei motori VW 1.2 cc., 3 cilindri 9v. e 12v.

Models:

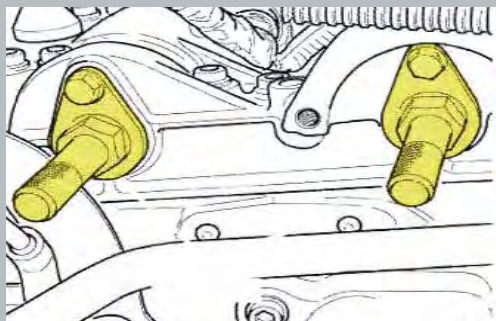
Volkswagen: Fox, Lupo, Polo,

Skoda: Fabia

Seat: Ibiza, Cordoba

Engines: 1.2 cc 9v-12v 3 cylinders engine

Codes: AWY, AZQ (55 - 64 HP)



Timing tools



310 102 000

Complete set of tools suitable for diesel engines: 1.9 TDI 75-90-110 Hp, 1.9 SDI 75-90-110 Hp, 1.9 TDI 105-130-150 Hp, 2.0 TDI DPF 140-170 Hp, 1.9 TDI 75-90-110 Hp.

Cassetta completa per la fasatura dei motori diesel: 1.9 TDI 75-90-110 Hp, 1.9 SDI 75-90-110 Hp, 1.9 TDI 105-130-150 Hp, 2.0 TDI DPF 140-170 Hp, 1.9 TDI 75-90-110 cv.

Models:

Volkswagen: Lupo, Polo, Golf, Bora, Passat, Beetle, Sharan

Audi: A2, A3, A4, A6

Seat: Alhambra (->99)

Ford: Galaxy (95->00)

Volvo: S40, V50 Petrol, 1.8 D, 1.8 TD, 240D, 740D, 760D, 940D, 960D Turbo

Engines:

1.9 TDI 75-90-110 HP, 1.9 SDI 75-90-110 HP, 1.9 TDI 105-130-150 HP, 2.0 TDI DPF 140-170 HP, 1.9 TDI 75-90-110 HP

Codes: AJM, AMF, ANU, ANY, ASZ, ATD, ATJ, AUY, AVB, AVF, AWX, AXR, AYZ, 1Z, AHU, AVG, AFN, D24, D24T, D24TIC

Timing tools





Timing tools

**310 103 000**

Complete set of timing tools suitable for VW-Audi-Seat-Skoda, petrol and diesel engines. **COMPLETE WITH SPECIAL CRANKSHAFT ROUND PULLEY LOCKER.**

Models:

Audi: A2,A3,A4,A6,Cabriolet.

Seat: Arosa, Ibiza, Cordoba, Leon, Toledo, Alhambra, Altea, Inca (99-04).

Skoda: Fabia, Octavia, Superb.

Volkswagen: Lupo, Polo, Fox, Golf, Bora, Jetta, Golf Plus, Passat, Beetle, Touran, Sharan, Caddy, Transporter, Ford Galaxy.

Engines: 1.4 & 1.6 16v. Twin Cams

1.2TDi PD, 1.4TDi PD, 1.9 TDI 75-90-110 Hp., 1.9 SDI 75-90-110 Hp., 1.9 TDI 105-130-150 Hp., 2.5 TDI V6.

Codes:

ARC, ATN, AUS, AVY, AZD, AFH, BCA, AFK, AHW, AJV, AKQ, APE, AQQ, AUA, AUB, AXP, AFH, AFK, AHW, APE, AQQ, AUA, AUB, AUS, AXP, AZD, BBY, BBZ, BCB, ANY,AYZ,AMF,ATL,BAY,BHC,BMS,BNM,BNV,BWB, AJM,AMG,ANU,ARL,ASZ,ATD,ATJ,AUY,AVB,AVF,AVQ,AWX,AXB,AXC,AXR,BEW,BJB,BKC,BKE,BLS, BLT,BMT,BPX,BRB,BRM,BRR,BRS,BRU,BSU,BSW, BTB,BUK,BVK,BXE,BXF,AZV,BDJ,BDK,BGW, BHW,BKD,BKP,BLB,BMA,BMM,BMN,BMP,BMR,BNA, BPW,BRC,BRE,BRF,BRT,BUZ,BE,BVF,BVG,BVH, BWV.



Timing tools

**310 124 000**

Complete set of timing tools suitable for VW-Audi-Seat- Skoda, petrol and diesel engines. **COMPLETE WITH SPECIAL CRANKSHAFT OVAL & ROUND PULLEY LOCKERS.**

Cassetta completa per la fasatura dei motori benzina e diesel.

Models:

Audi: A2,A3,A4,A6,Cabriolet.

Seat: Arosa, Ibiza, Cordoba, Leon, Toledo, Alhambra, Altea, Inca (99-04).

Skoda: Fabia, Octavia, Superb.

Volkswagen: Lupo, Polo, Fox, Golf, Bora, Jetta, Golf Plus, Passat, Beetle, Touran, Sharan, Caddy, Transporter, Ford Galaxy.

Engines: 1.4 & 1.6 16v. Twin Cams

1.2TDi PD, 1.4TDi PD, 1.9 TDI 75-90-110 Hp., 1.9 SDI 75-90-110 Hp., 1.9 TDI 105-130-150 Hp., 2.0 TDi PD, 2.0 TDI DPF 140-170 Hp., 2.5 TDI V6.

Codes: ARC, ATN, AUS, AVY, AZD, AFH, BCA, AFK, AHW, AJV, AKQ, APE, AQQ, AUA, AUB, AXP, AFH, AFK, AHW, APE, AQQ, AUA, AUB, AUS, AXP, AZD, BBY, BBZ, BCB, ANY,AYZ,AMF,ATL,BAY,BHC,BMS,BNM,BNV,BWB, AJM,AMG,ANU,ARL,ASZ,ATD,ATJ,AUY,AVB,AVF,AVQ,AWX,AXB,AXC,AXR,BEW,BJB,BKC,BKE,BLS, BLT,BMT,BPX,BRB,BRM,BRR,BRS,BRU,BSU,BSW, BTB,BUK,BVK,BXE,BXF,AZV,BDJ,BDK,BGW, BHW,BKD,BKP,BLB,BMA,BMM,BMN,BMP,BMR,BNA, BPW,BRC,BRE,BRF,BRT,BUZ,BE,BVF,BVG,BVH, BWV, AZV, BKD.

310 117 000

Set of tools suitable for VW-Audi-Seat-Skoda 1.2 TDi, 1.4 TDi, 1.9 TDi, 2.0 TDi PD diesel engines. COMPLETE WITH SPECIAL CRANKSHAFT ROUND PULLEY LOCKER.

Models:

Audi: A2, A3, A4, A4 Cabriolet, A6

Seat: Arosa, Ibiza, Cordoba, Leon, Toledo, Alhambra, Altea

Skoda: Fabia, Octavia, Superb

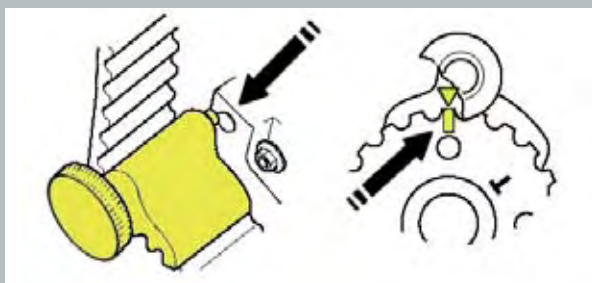
Volkswagen: Lupo, Polo, Fox, Golf, Bora, Jetta, Golf Plus, Passat, Beetle, Touran, Sharan, Caddy, Transporter

Ford: Galaxy

Engines: 1.2 TDi, 1.4 TDi, 1.9 TDi, 2.0 TDi PD

Codes:

ANY, AYZ, AMF, ATL, BAY, BHC, BMS, BNM, BNV, BWB, AJM, AMG, ANU, ARL, ASZ, ATD, ATJ, AUY, AVB, AVF, AVQ, AWX, AXB, AXC, AXR, BEW, BJB, BKC, BKE, BLS, BLT, BMT, BPX, BRB, BRM, BRR, BRS, BRU, BSU, BSW, BTB, BUK, BVK, BXE, BXF, AZV, BDJ, BDK, BGW, BHW, BKP, BLB, BMA, BMM, BMN, BMP, BMR, BNA, BPW, BRC, BRE, BRF, BRT, BUZ, BE, BVF, BVG, BVH, BWV.



Timing tools

NEW PRODUCT



310 117 002

Set of tools suitable for VW-Audi-Seat-Skoda 2.0 TDi PD. COMPLETE WITH SPECIAL CRANKSHAFT OVAL PULLEY LOCKER.

Cassetta adattabile per la fasatura dei motori VW-Audi-Seat-Skoda 2.0 TDi PD diesel.

Models:

Audi: A3, A4, A4 Cabriolet, A6

Seat: Leon, Toledo, Alhambra, Altea

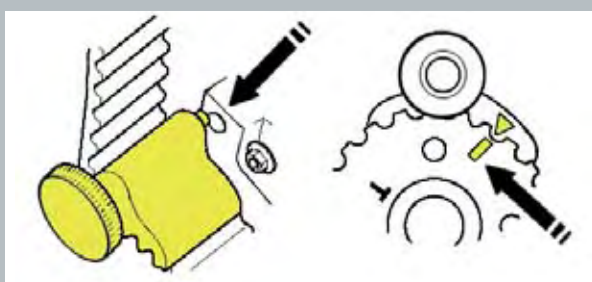
Skoda: Octavia, Superb

Volkswagen: Golf, Bora, Jetta, Golf Plus, Passat, Eos, New Beetle, Touran, Sharan, Caddy, Transporter

Ford: Galaxy

Engines: 2.0 TDi PD

Codes: AZV, BKD



Timing tools

NEW PRODUCT





Timing tools



310 132 000

Complete set of tools suitable for VW-AUDI-SEAT-SKODA engines, diesel: 1.2 TDi, 1.4 TDi, 1.9 TDi. COMPLETE WITH SPECIAL CRANKSHAFT ROUND PULLEY LOCKER.

Models:

Audi: A2, A3, A4, A4 Cabriolet, A6.

Seat: Arosa, Ibiza, Cordoba, Leon, Toledo, Alhambra, Altea.

Skoda: Fabia, Octavia, Superb.

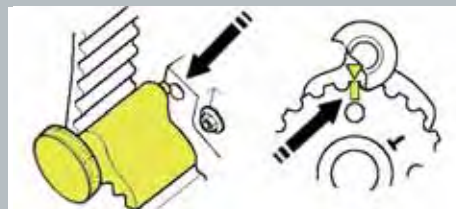
Volkswagen: Lupo, Polo, Fox, Golf, Bora, Jetta, Golf Plus, Passat, Beetle, Touran, Sharan, Caddy, Transporter.

Ford: Galaxy.

Engines:

1.2 TDi, 1.4 TDi, 1.9 TDi.

Codes: ANY, AYZ, AMF, ATL, BAY, BHC, BMS, BNM, BNV, BWB, AJM, AMG, ANU, ARL, ASZ, ATD, ATJ, AU, AVB, AVF, AVQ, AWX, AXB, AXC, AXR, BEW, BJB, BKC, BKE, BLS, BLT, BMT, BPX, BRB, BRM, BRR, BRS, BRU, BSU, BSW, BTB, BUK, BVK, BXE, BXF, AZV, BDJ, BDK, BGW, BHW, BKD, BKP, BLB, BMA, BMM, BMN, BMP, BMR, BNA, BPW, BRC, BRE, BRF, BRT, BUZ, BE, BVF, BVG, BVH, BWV.



Timing tools



310 116 000

Complete set of tools suitable for VW-Audi-Seat-Skoda 1.2 TDi, 1.4 TDi, 1.9 TDi, 2.0 TDi PD diesel engines. COMPLETE WITH SPECIAL CRANKSHAFT ROUND AND OVAL PULLEY LOCKER.

Models:

Audi: A2, A3, A4, A4 Cabriolet, A6

Seat: Arosa, Ibiza, Cordoba, Leon, Toledo, Alhambra, Altea

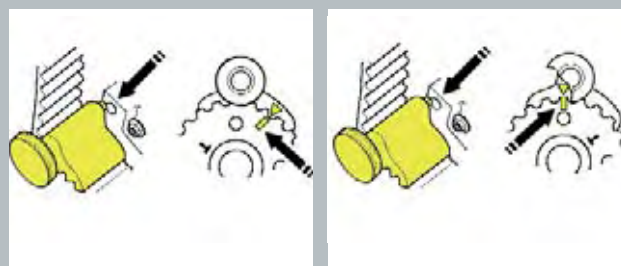
Skoda: Fabia, Octavia, Superb

Volkswagen: Lupo, Polo, Fox, Golf, Bora, Jetta, Golf Plus, Passat, Beetle, Touran, Sharan, Caddy, Transporter

Ford: Galaxy

Engines: 1.2 TDi, 1.4 TDi, 1.9 TDi, 2.0 TDi PD

Codes: ANY, AYZ, AMF, ATL, BAY, BHC, BMS, BNM, BNV, BWB, AJM, AMG, ANU, ARL, ASZ, ATD, ATJ, AU, AVB, AVF, AVQ, AWX, AXB, AXC, AXR, BEW, BJB, BKC, BKE, BLS, BLT, BMT, BPX, BRB, BRM, BRR, BRS, BRU, BSU, BSW, BTB, BUK, BVK, BXE, BXF, AZV, BDJ, BDK, BGW, BHW, BKD, BKP, BLB, BMA, BMM, BMN, BMP, BMR, BNA, BPW, BRC, BRE, BRF, BRT, BUZ, BE, BVF, BVG, BVH, BWV.



310 126 000

Complete set of timing tools suitable for VW, Audi, Skoda, petrol engines. Complete with water pump pulley extractor and crankshaft pulley extractor.

Cassetta completa per la fasatura dei motori benzina VW, Audi, Skoda. Completo di estrattore per la puleggia della pompa dell'acqua, e dell'estrattore per la puleggia albero motore.

Models: Volkswagen: Polo, Golf, Golf Plus, Touran, Passat. **Audi:** A3. **Skoda:** Octavia.

Engines: 1.4 & 1.6 FSi (Chain Drive)

Codes: AXU, BAG, BKG, BLF, BLN, BLP

310 126 011

Complete set of timing tools suitable for VW, Audi, Skoda, petrol engines. Complete with water pump pulley extractor and crankshaft pulley extractor. Without dial gauge.

Cassetta completa per la fasatura dei motori benzina VW, Audi, Skoda. Completo di estrattore per la puleggia della pompa dell'acqua, e dell'estrattore per la puleggia albero motore. **Senza comparatore.**

Models: Volkswagen: Polo, Golf, Golf Plus, Touran, Passat. **Audi:** A3. **Skoda:** Octavia

Engines: 1.4 & 1.6 FSi (Chain Drive)

Codes: AXU, BAG, BKG, BLF, BLN, BLP

310 126 010

Complete set of timing tools suitable for VW, Audi, Skoda, petrol engines.

Cassetta completa per la fasatura dei motori benzina VW, Audi, Skoda.

Models:

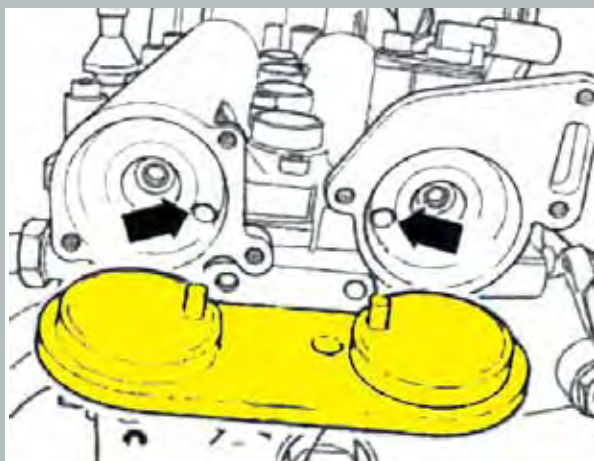
Volkswagen: Polo, Golf, Golf Plus, Touran, Passat

Audi: A3

Skoda: Octavia

Engines: 1.4 & 1.6 FSi (Chain Drive)

Codes: AXU, BAG, BKG, BLF, BLN, BLP



Timing tools

NEW PRODUCT



Timing tools

NEW PRODUCT



NEW PRODUCT

Timing tools



310 141 000

Timing kit suitable for camshaft locking on Audi 3.0 petrol engines.

Models:
Audi: A4 (01-08), A6 (01-08), A8 (03-08), Cabrio (03-08).

Engines: 3.0 petrol.

Codes: ASN, AVK, BBJ.



NEW PRODUCT

Timing tools



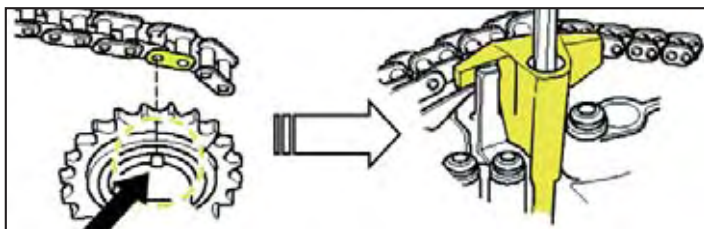
310 133 000

Locking tool for the positioning device of camshaft/tensioner on Audi-Seat-VW-Skoda 1.8, 1.8T petrol engines.

Models:
Audi: A3,S3, A4, A6, TT
Seat: Ibiza/Cordoba, Leon, Toledo, Alhambra
Skoda: Octavia
VW: Golf/Bora, Beetle, Passat

Engines: 1.8, 1.8 T petrol

Codes: ADR, AEB, AFY, AGN, AGU, AJH, AJL, AJP, AJQ, AMK, AMU, ANB, APG, APH, APP, APT, APU, APX, APY, AQA, AQX, ARG, ARX, ARY, ARZ, ATC, ATW, AUM, AUQ, AVC, AWC, AWP, AWU, AWV, AYP, BAM, BEA, BFV, BKF, BNU, BVP, BVR.



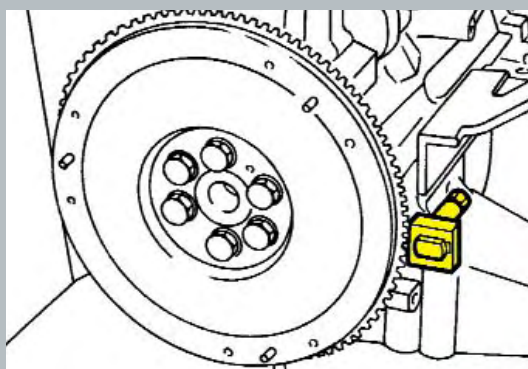
Timing tools



310 077 000

Flywheel locking tools on Fiat - VW - Audi-Seat - Skoda engines.

kit di attrezzi per il bloccaggio del volano Fiat - VW-Audi - Seat -Skoda.



313 030 000

Belt tensioner for Volkswagen, Audi, Seat, Skoda engines.

Chiave tendicinghia per motori Volkswagen, Audi, Seat, Skoda.

Special tool**313 032 000**

Water pump locking tool for Volkswagen Polo, Golf, Passat, Audi 80/A4.

Chiave per il bloccaggio della pompa dell'acqua Volkswagen Polo, Golf, Passat, Audi 80/A4.

Special tool**313 033 000**

Water pump locking wrench for Volkswagen, Audi engines (in case of air-conditioning system).

Chiave per il bloccaggio interno della pompa dell'acqua Volkswagen, Audi con climatizzatore.

Special tool**313 038 000**

Long Belt tensioner for Volkswagen, Audi, Seat, Skoda, gasoline and diesel engines.

Chiave lunga tendicinghia per motori Volkswagen, Audi, Seat, Skoda, benzina e diesel.

Special tool**313 039 000**

Short Belt tensioner for Volkswagen, Audi, Seat, Skoda, gasoline and diesel engines.

Chiave corta tendicinghia per motori Volkswagen, Audi, Seat, Skoda, benzina e diesel.

Special tool**313 126 000**

Belt tensioner for Volkswagen, Audi, Seat, Skoda, gasoline and diesel engines.

Chiave tendicinghia per motori Volkswagen, Audi, Seat, Skoda, benzina e diesel.

Special tool