

310 013 001

Complete kit to place correctly the camshaft during the timing belt replacement on Opel 2.0 TDI, DTL, DTH, DTX. diesel engines.

Models:

Opel: Vauxhall, Astra, Astravan, Zafira, Vectra, Omega, Sintra, Frontera, Signum

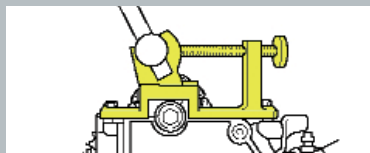
Saab: 9-3, 9-5 (98-04)

Engines:

Opel: 2.0 & 2.2 Di

Saab: 2.2 Di with Code: D223L

Codes: X20DTL, X20DTH, X22DTH, Y20DTL, Y20DTH, Y22DTH, Y22DTR

**Timing tools****310 019 000**

Timing tools for Opel gasoline engines.

Cassetta fasatura motori - distribuzione Opel benzina 16 v.

Models: Corsa, Agila, Astra, Meriva

Engines: 1.0 12v., 1.0 16v., 1.2 16V., 1.4 16v. (chain)

Codes: X10XE, Z10XE, Z10XEP, X12XE, Z12XE, Z14XEP, Z12XEP, Z14XEL.

Timing tools**310 142 000**

Timing kit suitable for 1.4 to 2.2 16v EcoTec Twin Cams petrol engines mounted on Opel/Vauxhall vehicles.

Model: Corsa B e C, Combo, Tigra, Tigra B, Meriva, Astra F,G e H, Speedster / VX220, Zafira A e B, Vectra B e C, Signum, Omega B, Sintra, Frontera A e B.

Engines: 1.4 16v, 1.6 16v, 1.8 16v, 2.0 16v, 2.2 16v.

Codes: X14XE, Z14XE, X16SEJ, X16XE, X16XEL, Y16XE, Z16XE, Z16YNG, C18XEL, X18XE, X18XE1, Z18XE, Z18XEL, C20SEL, C20XE, X20XEV, Z20LEH, Z20LEL, Z20LER, Z20LET, X22SE, X22XE, Y22SE, Y22XE, Z22XE.

Timing tools



Timing tools

310 078 000

Timing tools for Opel gasoline engines and Opel diesel engines.

Complete kit to place correctly the camshaft during the timing belt replacement.

Models:

Opel: Corsa, Agila, Meriva, Vauxhall, Astra, Astravan, Zafira, Vectra, Omega, Sintra, Frontera, Signum.

Saab: 9-3, 9-5 (98-04)

Engines: Opel: 1.0 12v., 1.0 16v., 1.2 16V., 1.4 16v. (chain), 2.0 & 2.2 Di. **Saab:** 2.2 Di with Code: D223L

Codes: X10XE, Z10XE, Z10XEP, X12XE, Z12XE, Z14XEP, X20DTL, X20DTH, X22DTH, Y20DTL, Y20DTH, Y22DTH, Y22DTR



Timing tools

310 107 000

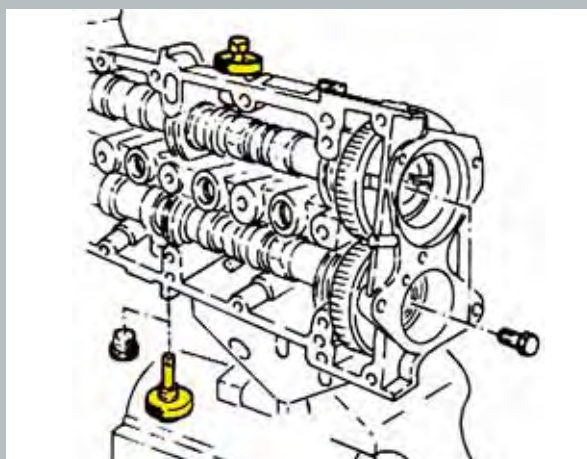
Set of tools for crankshaft and camshaft timing on new 1.3, 1.9, 2.4 Multijet 140-175 HP. Alfa-Fiat-Lancia , Opel, Suzuki engines.

Models:

Opel: Agila, Meriva, Corsa, Combo Tour, Astra, Zafira, Vectra.

Engines: 1.3 CDTI, 1.9 CDTI.

Codes: Z19DTH, Z13DT.



310 139 000

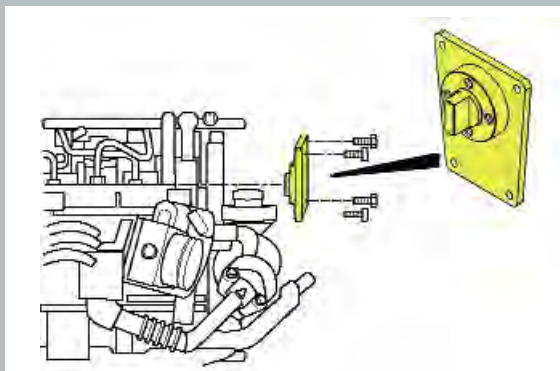
Complete set of timing tools suitable for crankshaft and camshaft locking on GM, Opel, Chevrolet 2.0.

Models:

Opel: Insigna, Antara
 Chevrolet: Epica, Captiva, Nubira

Engines: 2.0 TDCI

Codes: Z20DMH, Z20DM, RA420,Z20S1.



Timing tools

NEW PRODUCT



310 138 000

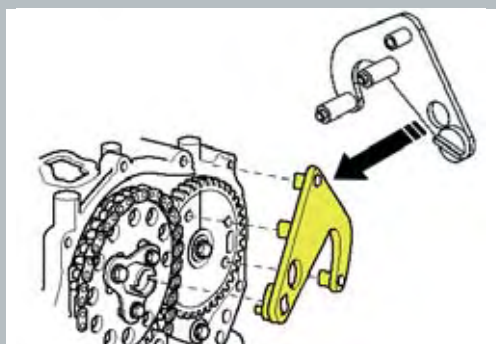
Complete set of timing tools suitable for crankshaft and camshaft locking on new Opel 2.0 dCi diesel engines.

Models: Vivaro

Engines: 2.0 dCi (chain).

Codes: M9R780, 782,784

Kit suitable also for Renault and Nissan.



Timing tools

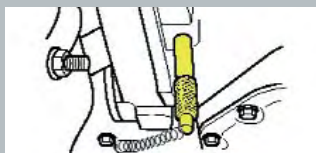
NEW PRODUCT



313 194 000

Flywheel locking pin suitable for Opel 1.3 CDI.

Engine: 1.3 CDTI



Timing tools

NEW PRODUCT

