

Timing tools

310 119 000**Complete set for timing on Alfa Romeo petrol engines 1.4 - 1.6 - 1.8 - 2.0 lts.**

Cassetta fasatura motori Alfa Romeo 1.4 - 1.6 - 1.8 - 2.0 benzina.

100A-100S (2nd & 3rd) cylinder:

Models:

Alfa 156 1600 16v

Alfa 145/146 1400 e 1600

Alfa 155 1600 16v - with and without phase variator.

105A-105S (2nd & 3rd) cylinder

Models:

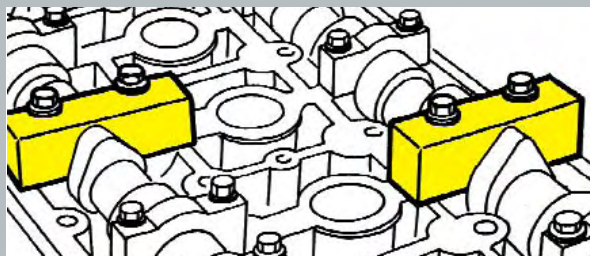
Alfa 156 1800-2000 16v

Spider e Gtv TS 2000

155 TS 1800

Codes:

162.01, 321.04, 322.01, 323.01, 323.10, 335.03 341.03, 372.03, 671.06, 672.04 & 676.01



Timing tools

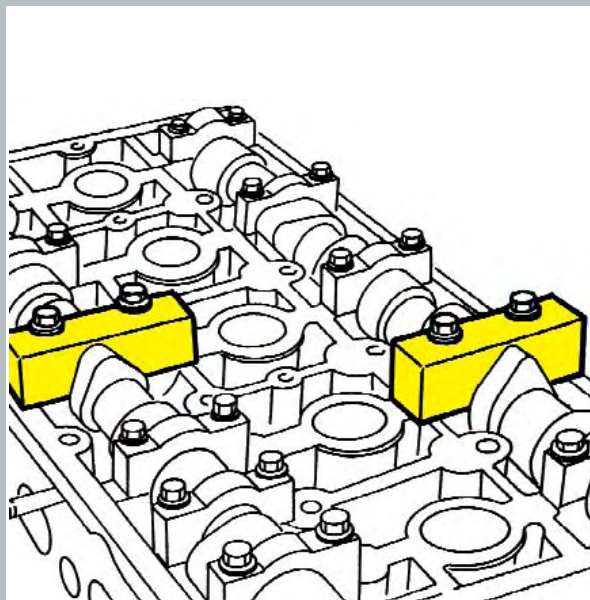
310 010 000**Complete set for timing on Alfa Romeo 1.6 eco 105 Hp petrol engines.**

Cassetta fasatura motori Alfa Romeo 1.6 eco 105 cv. benzina.

130A-130S (2nd & 3rd) cylinder:

Models:

Alfa 147 1.6 ECO 105 hp.



310 012 000

Complete set for timing on Alfa Romeo 3.0 V6 petrol engines.

Kit fasatura motori Alfa Romeo 3.0 litri V6 benzina.

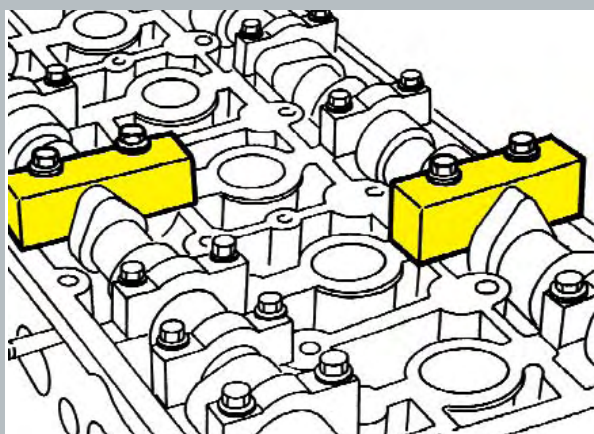
30A-30S (1st aspiration right & 1st exhaust right) cylinder
31A-31S (6th aspiration left & 4th exhaust left) cylinder

Models:

Alfa 155 3.0 V6 engine
Alfa 166 3.0 V6 engine
Alfa GTV 3.0 V6 engine

Codes:

161.02, 161.05, 324.01, 324.05, 342.01, 343.01

**Timing tools****310 107 000**

Complete set of timing tools suitable for 16v. diesel engines.

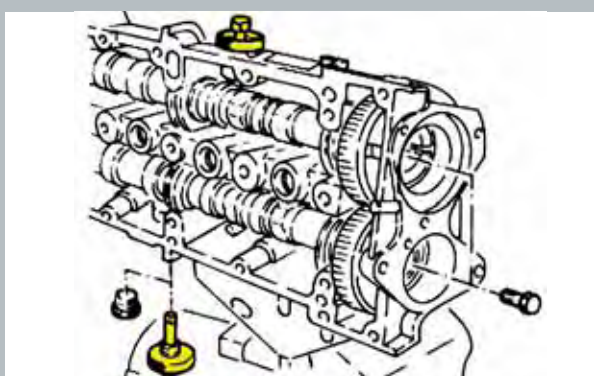
Cassetta fasatura per motori diesel 16v.

Models:

Alfa 145, 146, 147, 156, 159, 166, GT, Crosswagon Q4
Fiat Punto, Grande Punto, Bravo/Brava, Marea, Weekend, Stylo, Doblò/Cargo, Multipla, Idea, Panda
Lancia Ypsilon, Musa, Lybra, Thesys
Opel Corsa, Agila, Meriva, Combo Tour, Astra, Zafira, Vectra
Suzuki Ignis, Swift, Vagon R+, Grand Vitara, Crossover

Engines:

1.3 Multijet 16V, 1.3 Multijet CDTI, 1.3 DDiS 16V.
1.9-2.4 JTD Multijet, 1.9 CDTI, 1.9 DDiS

**Timing tools**



Timing tools

**310 074 000****Set of tools for crankshaft timing on new 1.9-2.4 JTD Multijet 140Hp-175Hp, Alfa, Fiat, Lancia engines.**

Cassetta fasatura nuovi 1.9-2.4 JTD Multijet 140cv-175cv, motori Alfa, Fiat, Lancia.

Models:**Alfa**145, 146, 147, 156, 1.9 JTD 16V., 156 2.4 JTD 20V., 166 2.4 JTD 20V., GT 2.4 JTD 20V.**Fiat** Punto, Grande Punto, Brava/Bravo Marea, Weekend, Stilo, Doblo/Cargo, Multipla 1.9 JTD 16V.**Lancia** Lybra 1.9 JTD 16V., Lybra 2.4 JTD 20V., Thesys 2.4 JTD 20V.**Engines:** 1.9-2.4 JTD**Codes:**

323.02,371.01, 182B4.000, 182B9.000, 186A6.000, 188A2.000, 188A7.000, 188B2.000, 192A1.000, 192A3.000, 937A2.000, 939A1.000, 192A5.000, 192B1.000, 937A5.000, 939A2.000, 325.01, 342.02,362.02, 185A6.000, 841C.000, 841G.000,939A3.000



Timing tools

**310 008 000****25 pieces set for gasoline timing 1.4 => 3.0 Alfa-Fiat-Lancia.**

Cassetta 25 pezzi messa in fase motori benzina Alfa-Fiat-Lancia 1.4 => 3.0.

ART	CAM	CYL N.	ENGINE	N. PCS
00	A	2	Bravo/Brava- Lancia Y10 1,4 12v.	1
10	A	3	Lancia K 5 cil. 2.0 20v. VIS engine from 1996	2
10	S	2		
20	A	1	Alfa 3.0 V6 24v.	2
20	S	1		
21	A	6		
21	S	4		
40	A	3	Lancia 5 cyl. before '96	2
40	S	2		
50	A	2	Fiat Bravo/Brava/Marea - Lancia 1800 16v 115 HP - Delta/Dedra 1800 16v - 1860 847/C/2	2
50	S	3		
60	A	2	Fiat Coupé - Lancia - Alfa 1800 16v 130 HP - Alfa 155	2
60	S	3		
70	A	3	Fiat Bravo/Brava/Marea 2.0 20v	2
70	S	2		
80	A	2	Barchetta/Coupé 1.8 16v variator	2
80	S	3		
90	A	2	Alfa 145/146 1400 16v - 1600 16v (Step A engine only) - Alfa 147 1.6 120HP.	2
90	S	3		
100	A	2	Alfa 156 1600 16v - Alfa 145/146 1400 e 1600 - Alfa 155 1600 16v - with and without variator	2
100	S	3		
105	A	2	Alfa 156 1800-2000 16v - Spider e Gtv TS 2000 - 155 TS 1800	2
105	S	3		
120	A	3	Fiat 2.0 Turbo - Lancia 2.0 Turbo	2
120	S	2		

310 127 000

Complete set for timing on Alfa Romeo 2.0 JTS 165 hp.

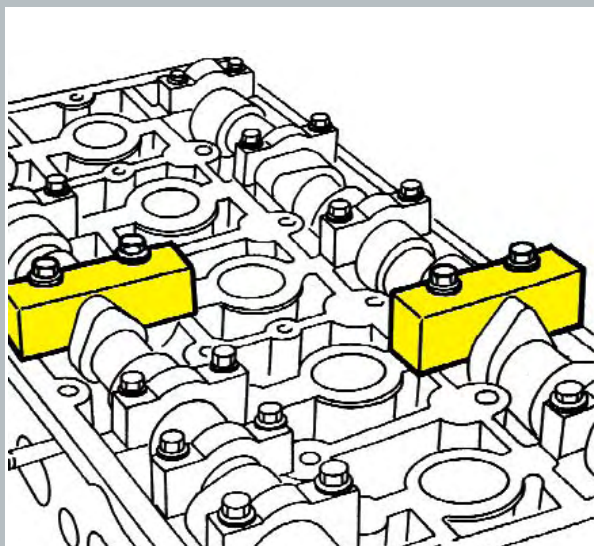
Cassetta per la fasatura dei motori Alfa Romeo 2.0 JTS 165 cv.

150A-150S (2nd & 3rd) cylinder:

Models:

GT 2.0 JTS

Codes: 937A1.000, 932A2.000

**Timing tools****310 095 000**

Complete set for timing on Alfa Romeo petrol engines 1.4 - 1.6 - 1.8 - 2.0 lts.

Cassetta fasatura motori Alfa Romeo 1.4 - 1.6 - 1.8 - 2.0 benzina.

100A-100S (2nd & 3rd) cylinder:

Models:

Alfa 156 1600 16v

Alfa 145/146 1400 e 1600

Alfa 155 1600 16v - with and without phase variator

105A-105S (2nd & 3rd) cylinder

Models:

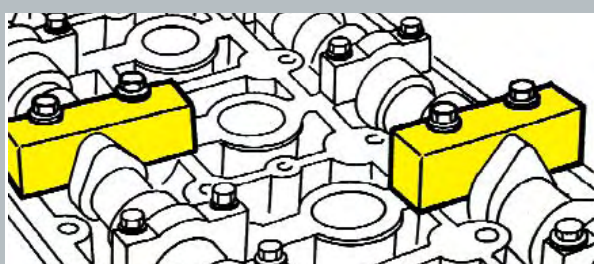
Alfa 156 1800-2000 16v

Spider e Gtv TS 2000

155 TS 1800

Codes:

162.01, 321.04, 322.01, 323.01, 323.10, 335.03 341.03, 372.03, 671.06, 672.04 & 676.01

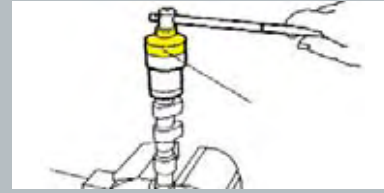
**Timing tools**



Special tools

313 023 000

Tools for dismounting phase alternator on Fiat, Alfa, Lancia.
Chiave frontale per smontaggio del variatore di fase, motori Fiat, Alfa, Lancia.

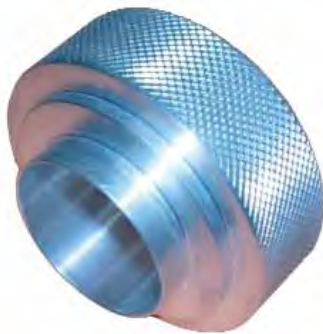


Special tools

313 063 000

Special tool for countershaft removal, suitable for Alfa engines.

Attrezzo speciale per smontaggio del contralbero di bilanciamento motore, modelli Alfa.



Special tools

313 151 000

Corteco introducer for the camshaft on Alfa 147, Fiat Stilo 1.9 JTD 16v.

Attrezzo introduttore "Corteco" per albero distribuzione Alfa 147, Fiat Stilo 1.9 JTD 16v.



Special tools

313 152 000

Locker for crankshaft pulley on motore Fiat 1.7, 1.8, 2.0, 2.0 turbo, 2.4 TD, 2.5, 3.0.

Attrezzo per il bloccaggio della puleggia albero motore Fiat 1.7, 1.8, 2.0, 2.0 turbo, 2.4 TD, 2.5, 3.0.